



THE NORDIC OUTSWING PATIO DOOR



S simply Revolutionary!



Built to the same level of H Window quality and performance, The Nordic Outswing Patio Door opens outward to save precious floorspace. Both sides of a double-wide door are fully operational, and include a 3-point locking mechanism for the ultimate in security. A fourth hinge near the top prevents sagging, and a unique wind brake stop allows the active leaf to be locked in any open position. The latch system locks the door with a simple twist of the handle. The aluminum exterior/wood interior design produces the tightest air and water infiltration performance in the industry, and like our windows, the Nordic Outswing Patio Door is custom built to your exact specifications and is available in your choice of woods and colors.

Wood Interiors

Every Nordic Outswing door comes standard in veneer wrapped pine or oak. Optional solid woods include oak, maple, cherry, Douglas fir and birch. Choose from five standard powder coat colors, custom powder coat colors, Kynar™ or anodized colors.

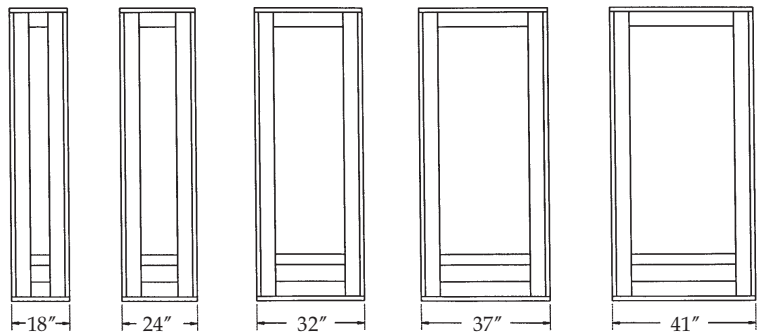


Venetian blind panel option. Available with 16 blind color selections.

Configurations

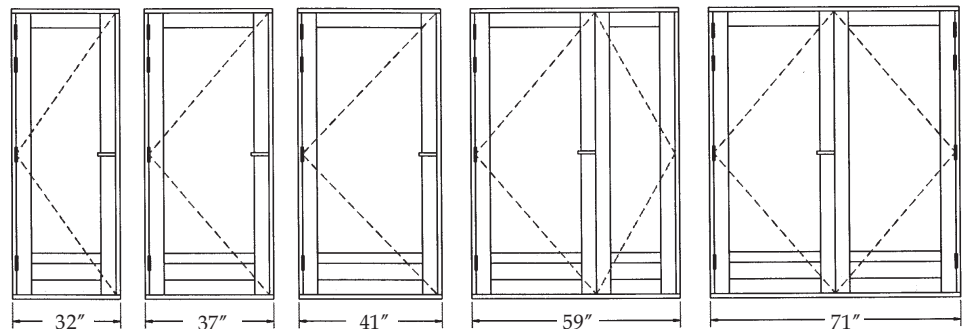
STANDARD SIDE LITES

From 18" to 41" widths, and heights of 80", 82" and 95 1/2".



STANDARD DOORS

From 32" to 71" widths, and heights of 80", 82" and 95 1/2". For remodeling, the Nordic Outswing Door can be manufactured to any width, height and wall depth.



Design Features



◀ ESPAGNOLETTE HARDWARE

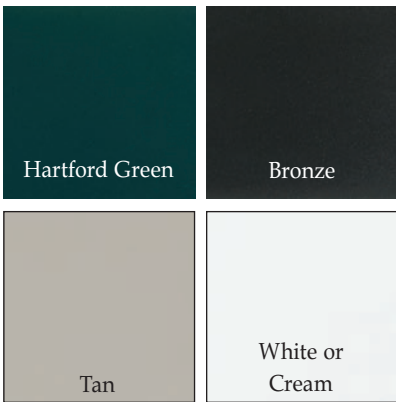
The Nordic Door features a slam shut latching hardware with a three-point locking mechanism for security.

▶ WINDBRAKE

Through the use of a glide shoe, a simple lift of the handle locks the door in any ventilating position.

▶ INTERIOR RETRACTABLE SCREEN

Mounted to the interior jamb of the door, the screen has tracks at the head and sill and quickly rolls out of sight into a compact metal canister. The screen attaches magnetically to the astragal for partial ventilation or the opposite jamb for full ventilation. (Does not fit on ADA threshold).

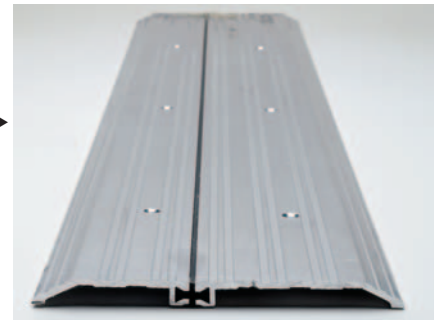


◀ STANDARD COLORS

Choose from five standard colors, including Hartford Green, Bronze, Tan, White and Cream.

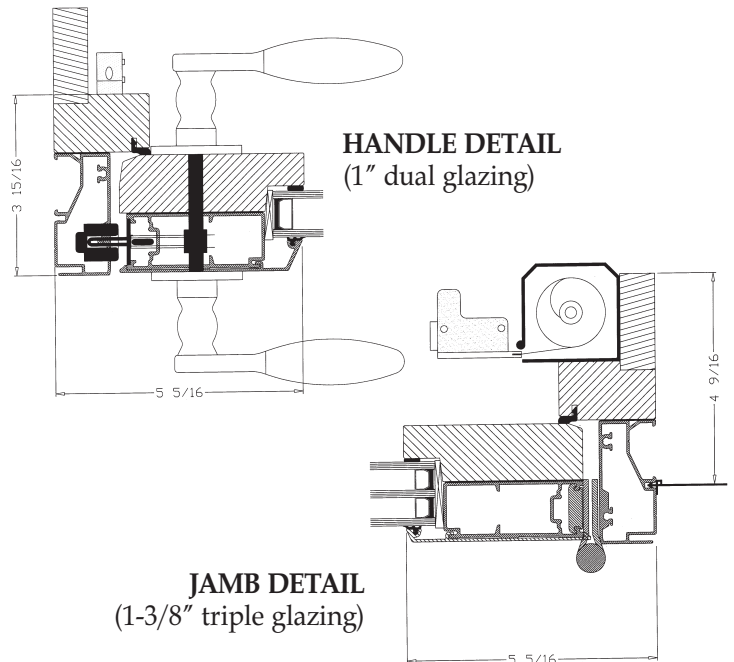
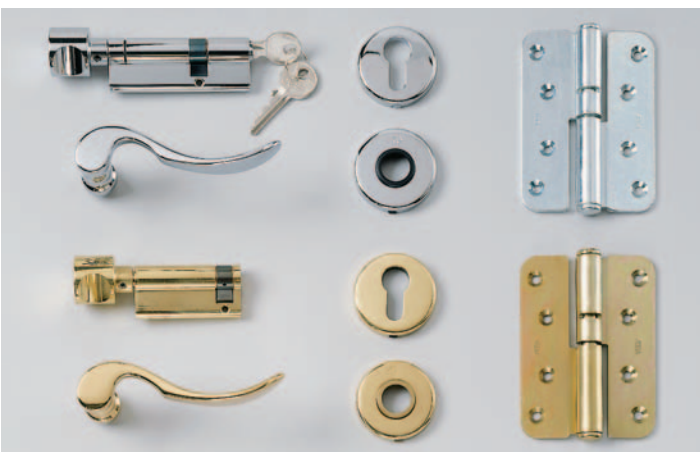
▶ THRESHOLD

There are two styles of thresholds. A raised threshold is standard for excellent air, water and structural performance. A thermally broken ADA threshold is available on our 41" doors, when accessibility is required by code.



HARDWARE OPTIONS

Choose from a variety of lock sets and handles in polished brass, chrome or custom finishes. Hinges are zinc alloy on steel.





The Nordic Outswing Patio Door opens outwardly, so it doesn't take up valuable interior floor space.

H Window reserves the right to make design and specification changes to its product line at any time without notice. Ref.#05035000



The addition of a side lite provides an expansive view.



WINDOW

401 17th Ave. W.
Ashland, WI 54806
(715) 685-2793
(715) 685-9441 – Fax
(800) 843-4929 – Toll-Free
e-mail: hway@hwindow.com
www.hwindow.com

1-800-THE-H-WAY

Your local authorized H Window dealer:

AluSpec
Fenestration
Design

your local sales rep
(608) 825-4838